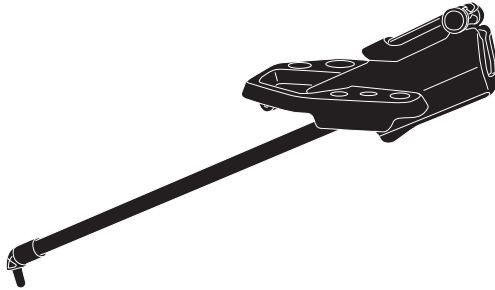
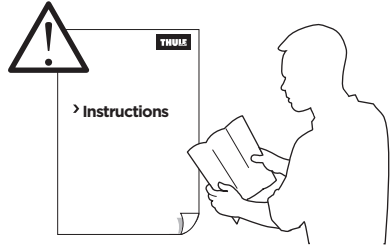
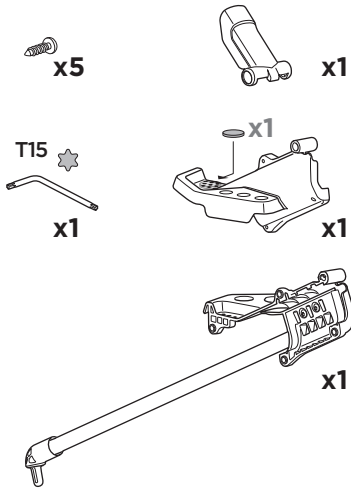


➤ Instructions

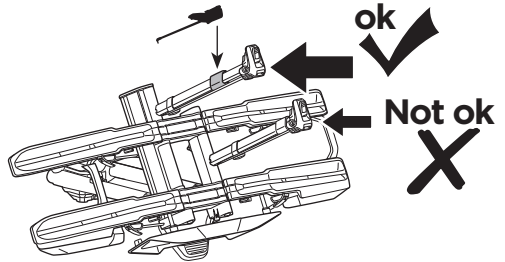
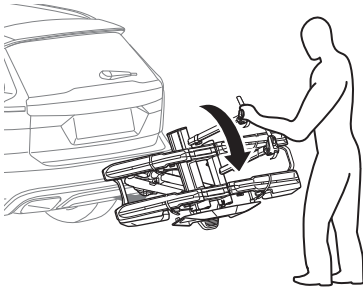
Thule Epos Bike Repair Holder 9783



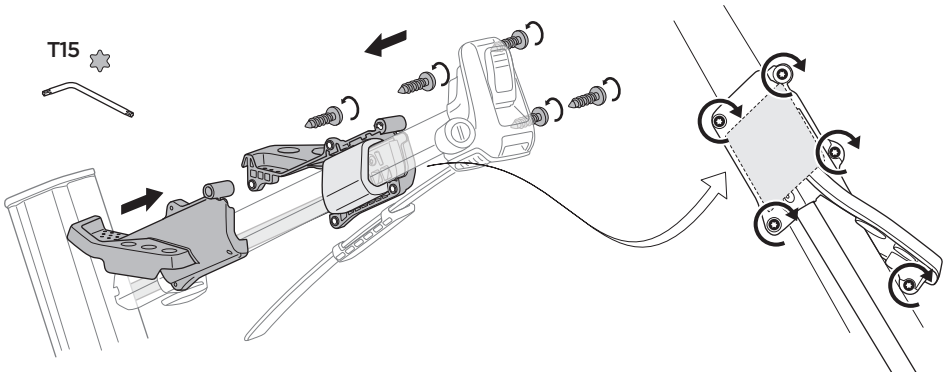
i



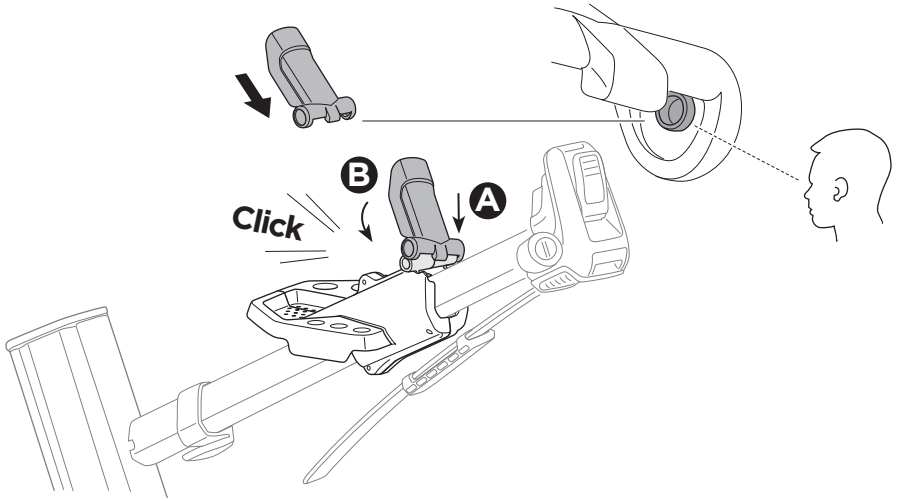
1



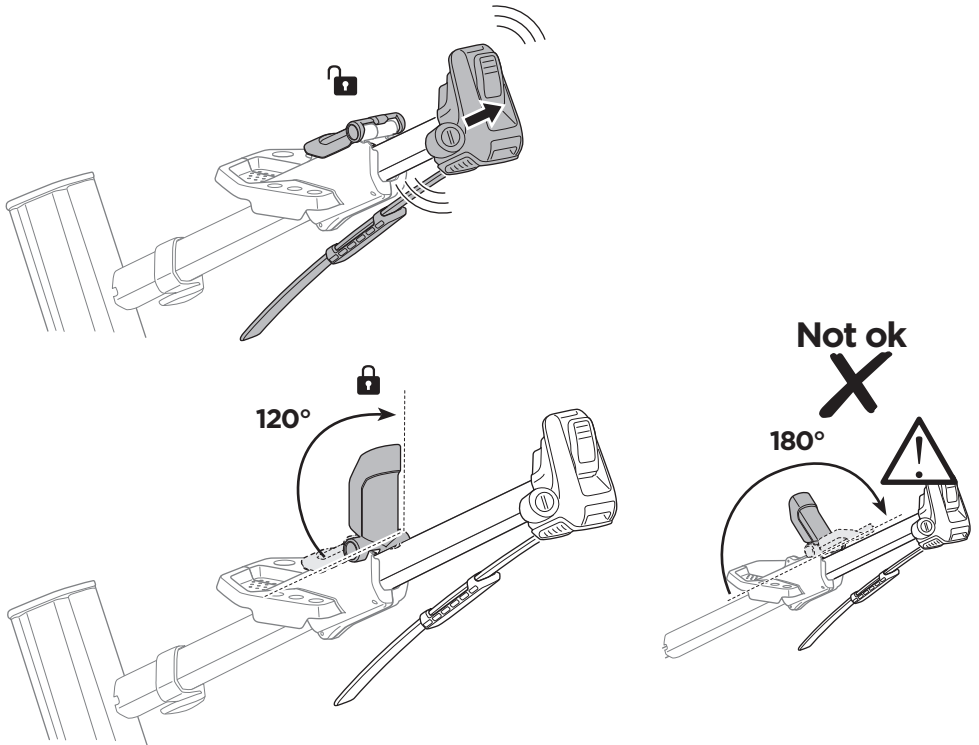
2

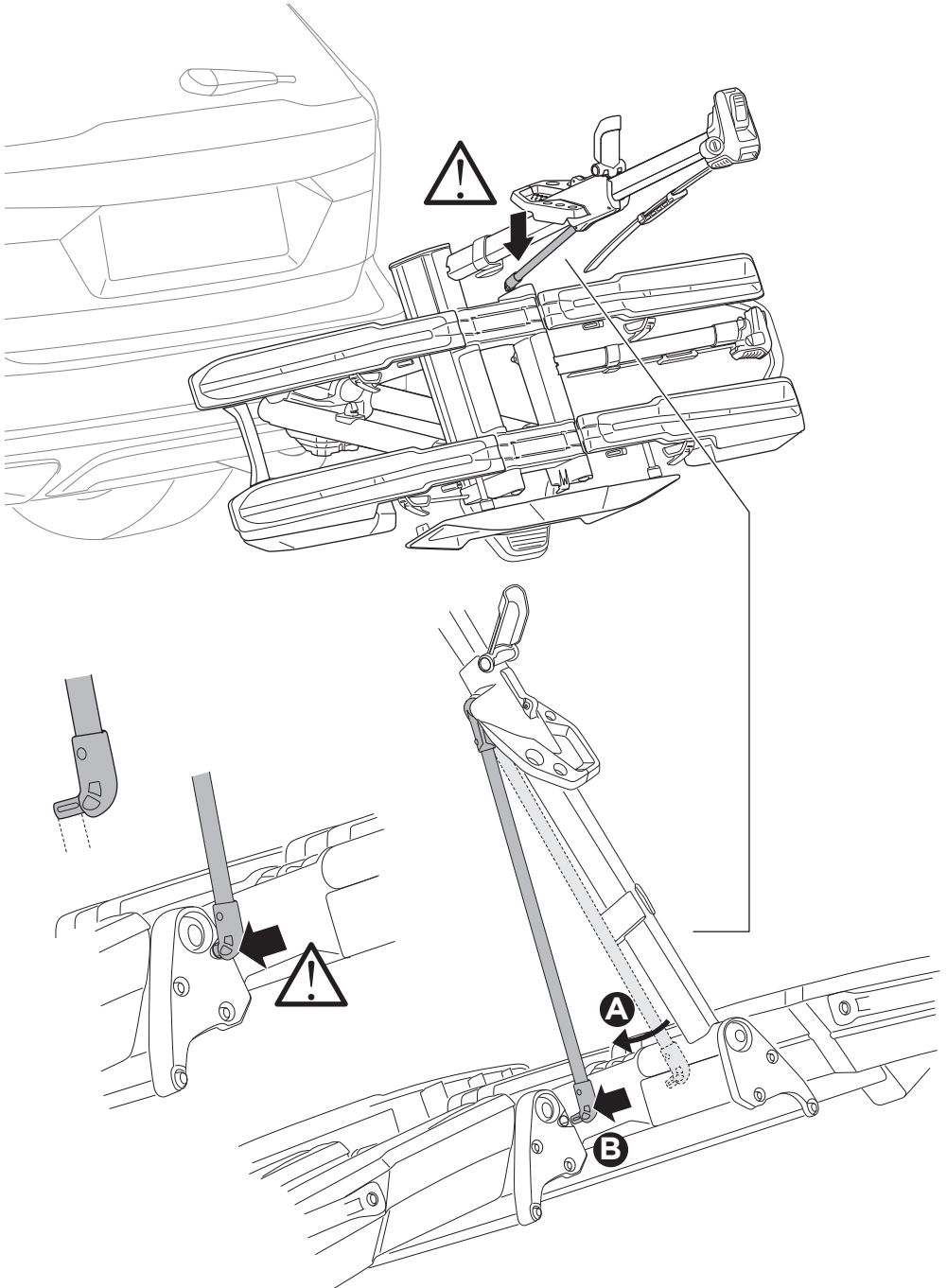


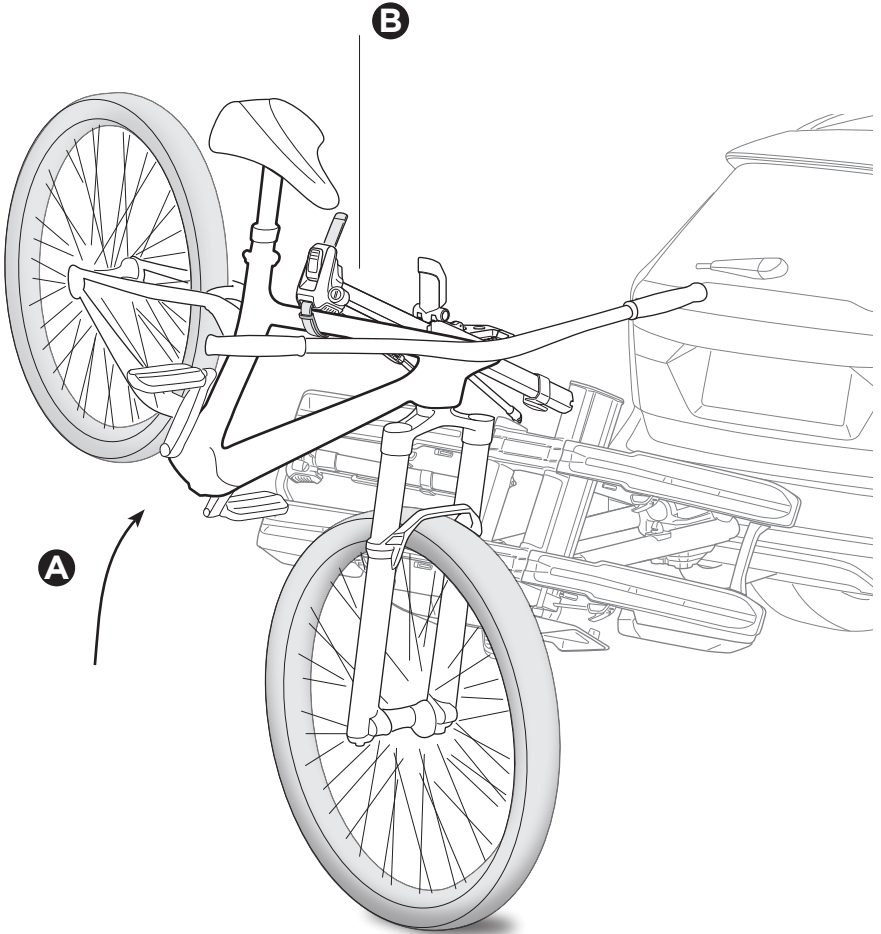
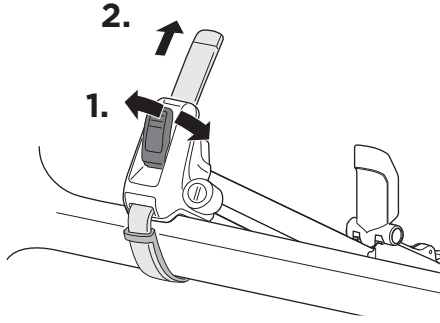
3

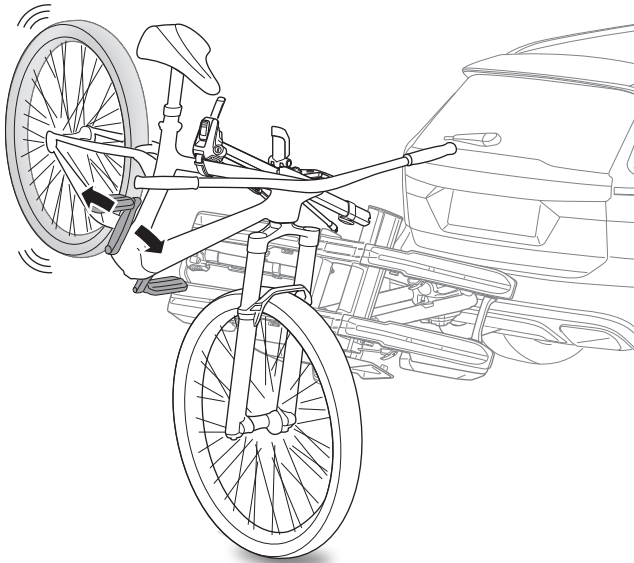
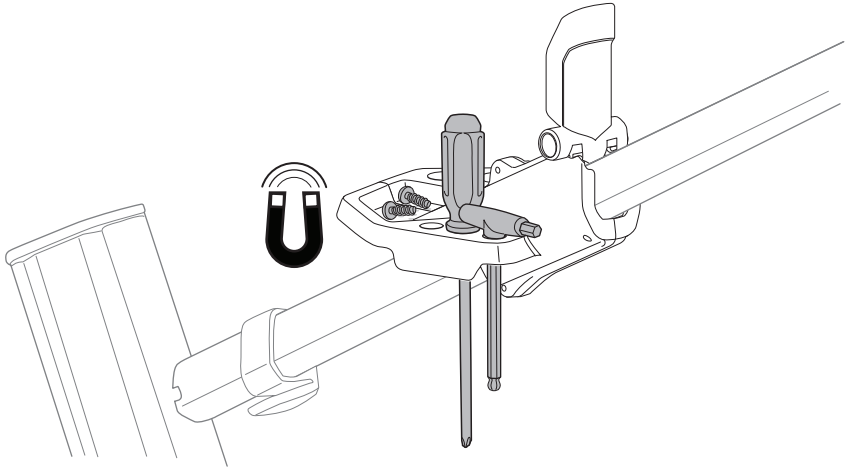


4

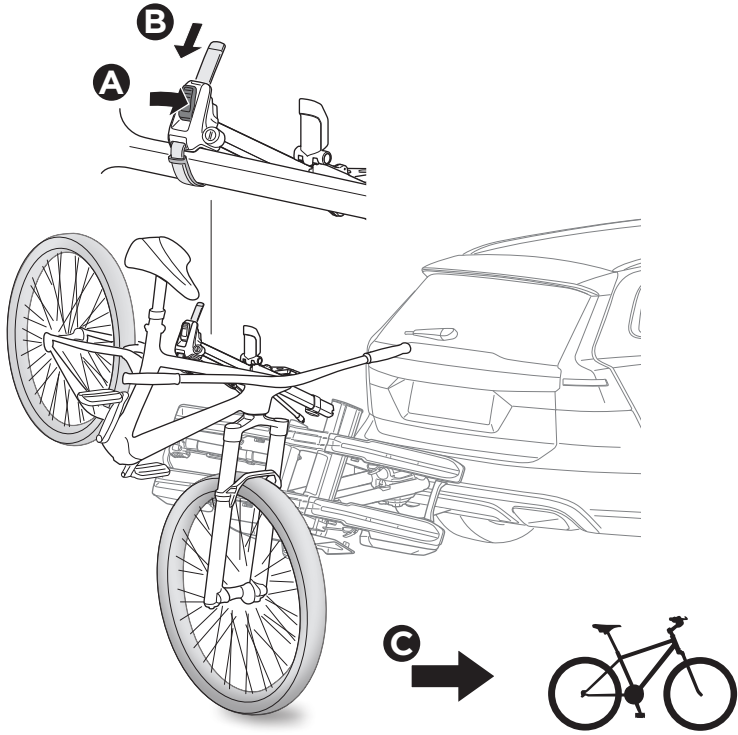




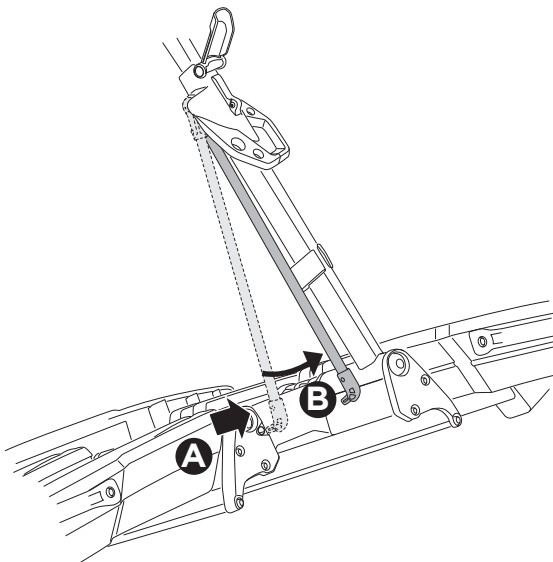


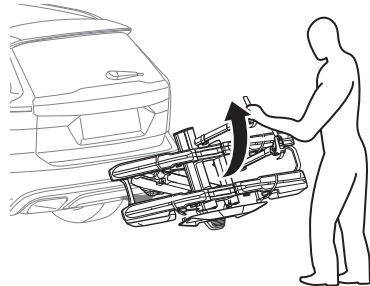
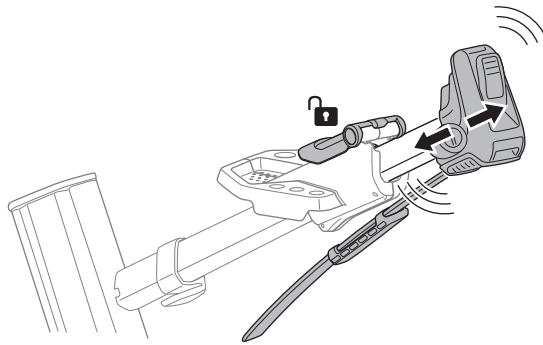
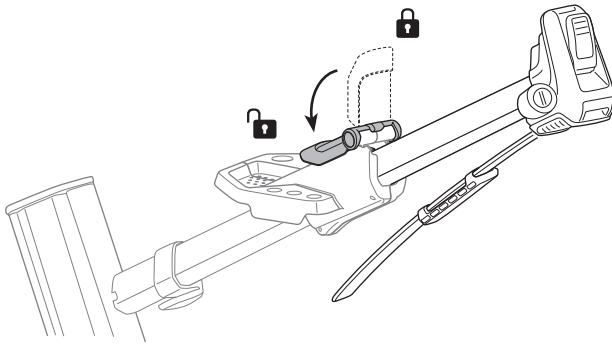


7



8



**Thule Sweden AB**

Borggatan 5
335 73 Hillerstorp, Sweden
info@thule.com
www.thule.com